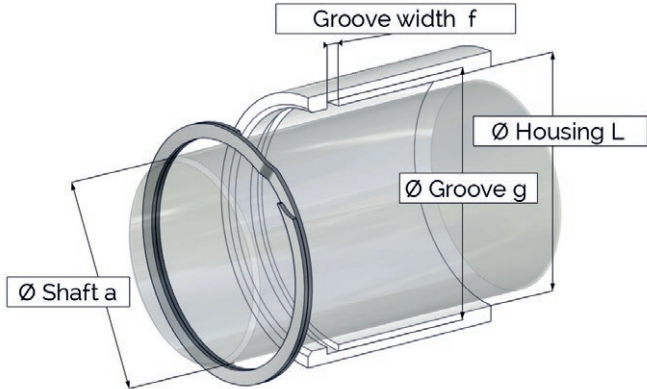




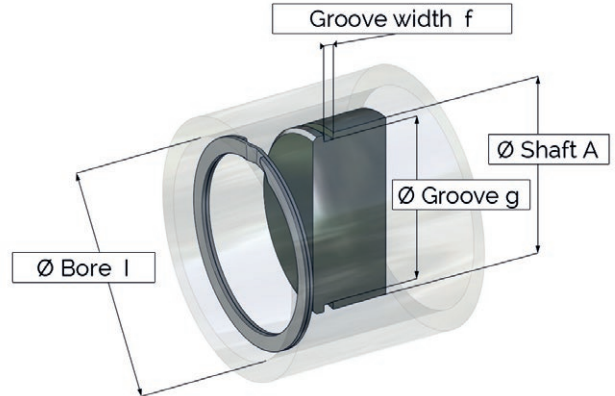
SPACE REQUIRED

Internal retaining ring for bore



Housing diameter L* :mm
 Groove diameter g* :mm
 Groove width f* :mm
 Shaft diameter a :mm

External retaining ring for shaft



Shaft diameter A :mm
 Groove diameter g* :mm
 Groove width f* :mm
 Bore diameter I :mm

THRUST CAPACITY

Required thrust capacity :N
 RPM :r/Min

ENVIRONMENT

Operating temperature :

Mini* :°C Maxi* :°C

- Retaining ring operates in oil
- Retaining ring must be stainless
- Retaining ring should not be magnetic
- Retaining ring must be conductive

Surrounding chemical substances :

.....

Required raw material :

.....

QUANTITIES

Prototypes : Serie* :
 Pre serie : Annual :

APPLICATION DESCRIPTION

.....

IDENTIFICATION

Last Name* : First Name* :
 Company* : Function :
 Full adress :
 Email* : Phone :

*Required field